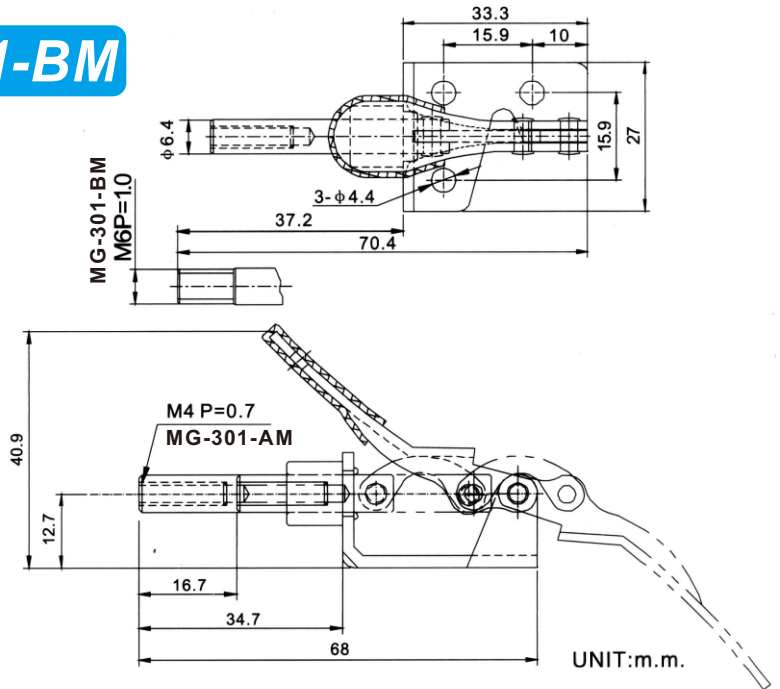
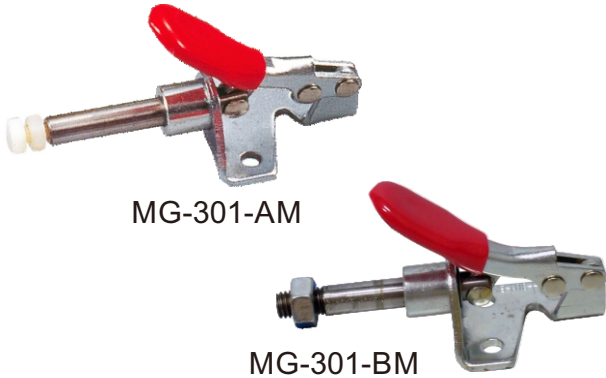




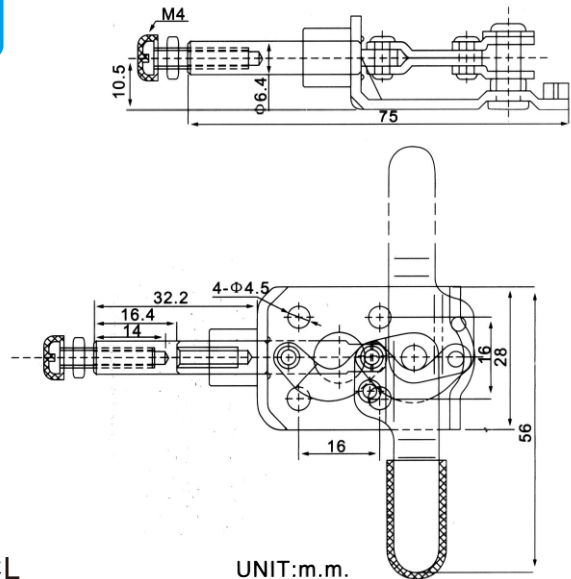
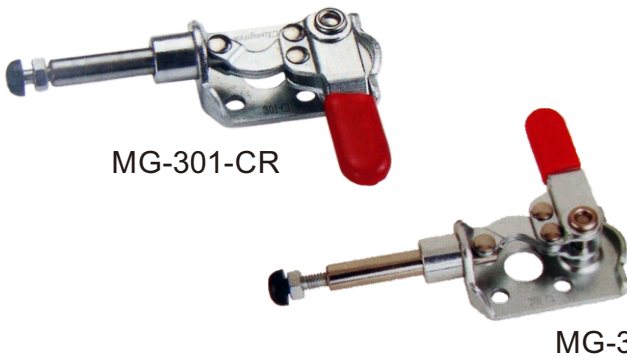
MG-301-AM AND MG-301-BM

WEIGHT(自重) : 50g
 HOLDING CAPACITY(夾持力) : 45kg
 SPINDLE SUPPLIED
 (壓頭螺絲型號) : SA-042007(尼龍)
 HANDLE OPENS(手柄開啟角度) : 190°
 PLUNGER STROKE(行程) : 16.7mm
 MG-301-AMSS



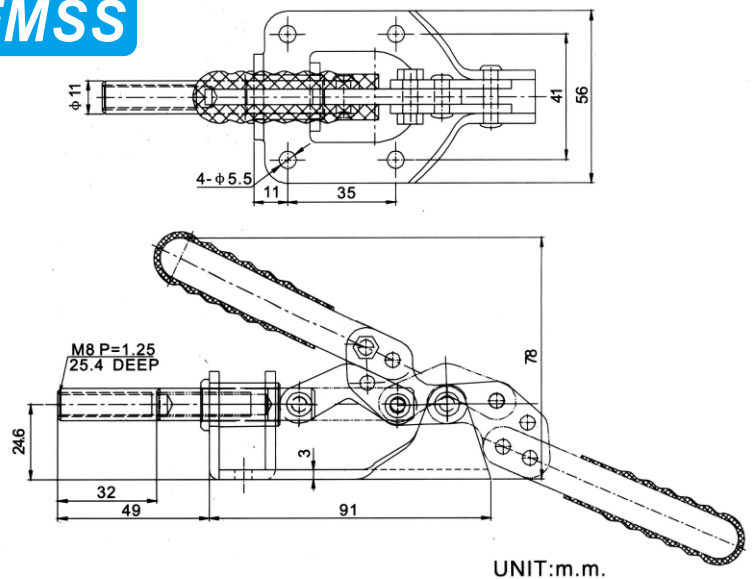
MG-301-CR AND MG-301-CL

WEIGHT(自重) : 56g
 HOLDING CAPACITY(夾持力) : 40kg
 SPINDLE SUPPLIED(壓頭螺絲型號) : FC-042007
 HANDLE OPENS(手柄開啟角度) : 180°
 PLUNGER STROKE(行程) : 16.4mm



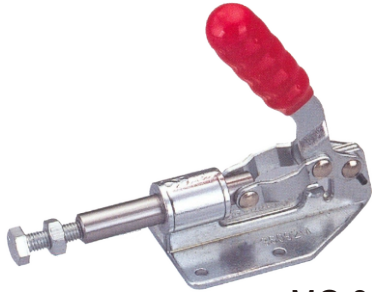
MG-302-FM AND MG-302-FMSS

WEIGHT(自重) : 300g
 HOLDING CAPACITY(夾持力) : 136kg
 SPINDLE SUPPLIED(壓頭螺絲型號) : SA-085012
 HANDLE OPENS(手柄開啟角度) : 180°
 PLUNGER STROKE(行程) : 32mm

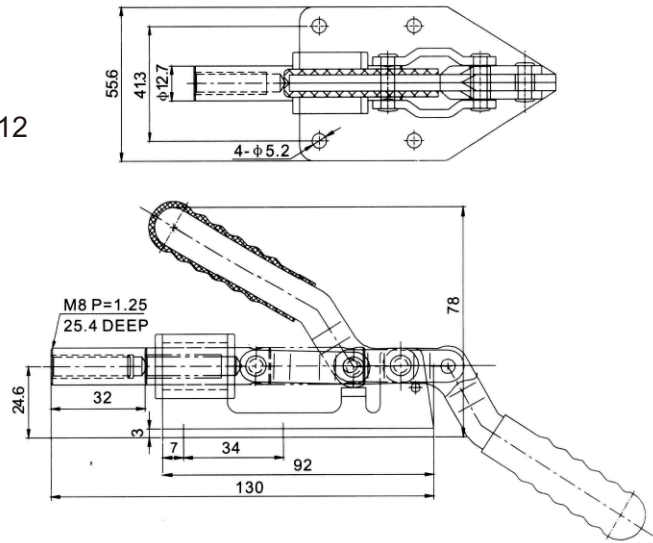


MG-36092M

WEIGHT(自重): 397g
 HOLDING CAPACITY(夾持力): 180kg
 SPINDLE SUPPLIED(壓頭螺絲型號): SA-085012
 HANDLE OPENS(手柄開啟角度): 180°
 PLUNGER STROKE(行程): 32mm
 MG-36092MSS



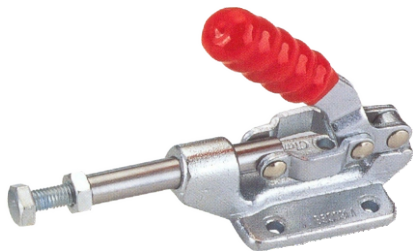
MG-36092M



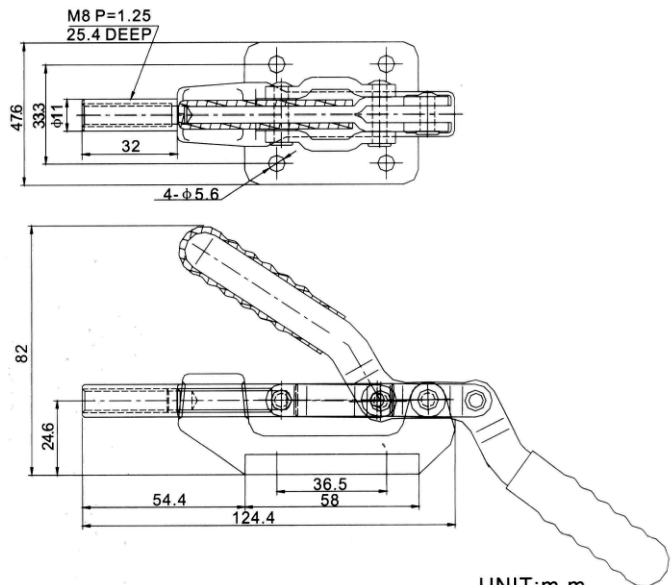
UNIT:m.m.

MG-36003M

*Forged alloy steel base(底座為鍛造合金鋼)
 WEIGHT(自重): 395g
 HOLDING CAPACITY(夾持力): 272kg
 SPINDLE SUPPLIED(壓頭螺絲型號): SA-085012
 HANDLE OPENS(手柄開啟角度): 180°
 PLUNGER STROKE(行程): 31.8mm



MG-36003M

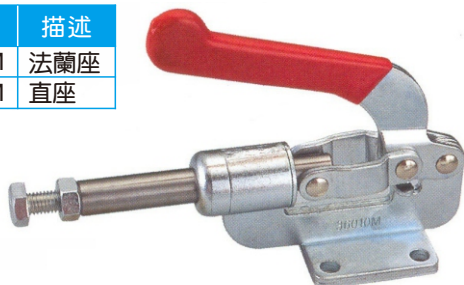


UNIT:m.m.

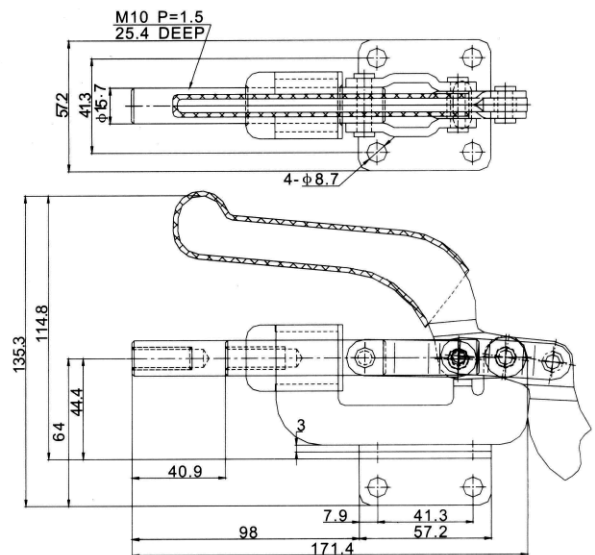
MG-36010M AND MG-36012M

WEIGHT(自重): 800g
 HOLDING CAPACITY(夾持力): 364kg
 SPINDLE SUPPLIED(壓頭螺絲型號): SA-105015
 HANDLE OPENS(手柄開啟角度): 180°
 PLUNGER STROKE(行程): 40.9mm

型號	描述
MG-36010M	法蘭座
MG-36012M	直座



MG-36010M

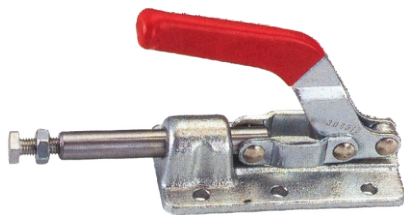


UNIT:m.m.

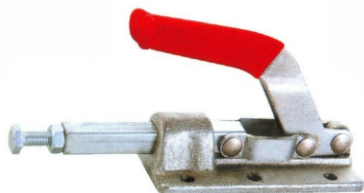


MG-30607M AND MG-30608M

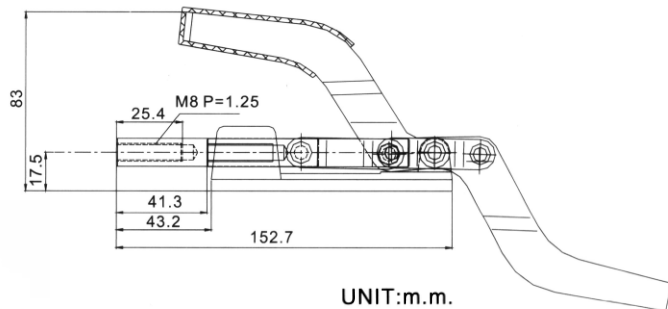
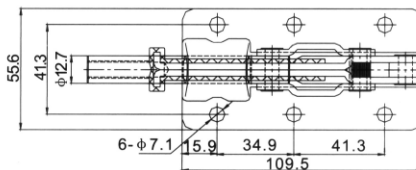
* Forged alloy steel base
 (底座為鍛造合金鋼)
 WEIGHT(自重) : 700g
 HOLDING CAPACITY(夾持力) : 318kg
 SPINDLE SUPPLIED
 (壓頭螺絲型號) : SA-085012
 HANDLE OPENS(手柄開啟角度) : 180°
 PLUNGER STROKE(行程) : 41.3mm



MG-30607M

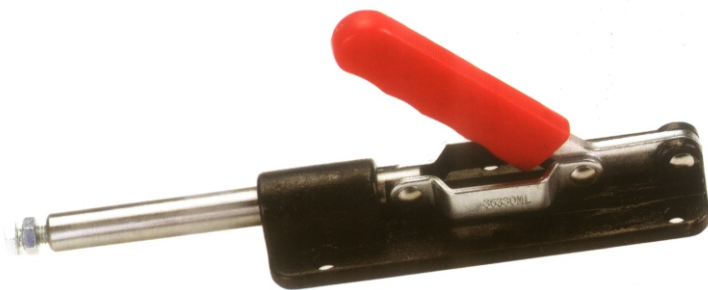


MG-30608M

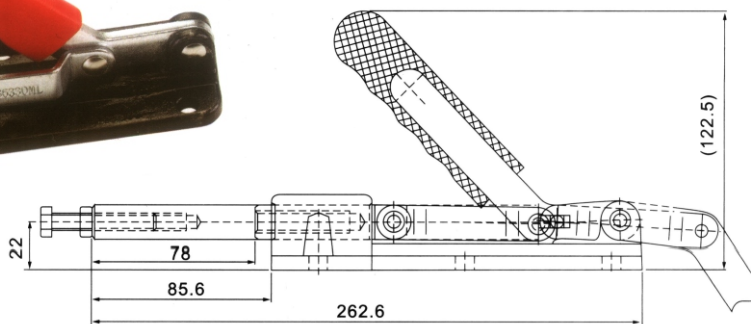
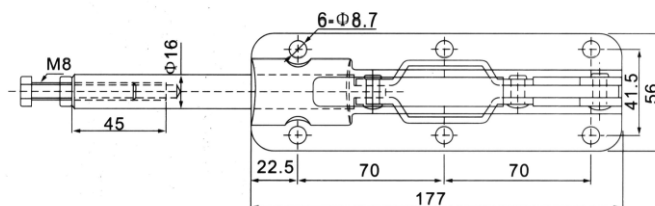


MG-36080 (36330ML)

* Ductiles iron base
 (底座為鑄鋼)
 WEIGHT(自重) : 1250g
 HOLDING CAPACITY(夾持力) : 350kg
 SPINDLE SUPPLIED
 (壓頭螺絲型號) : SA-085012
 HANDLE OPENS(手柄開啟角度) : 185°
 PLUNGER STROKE(行程) : 78mm



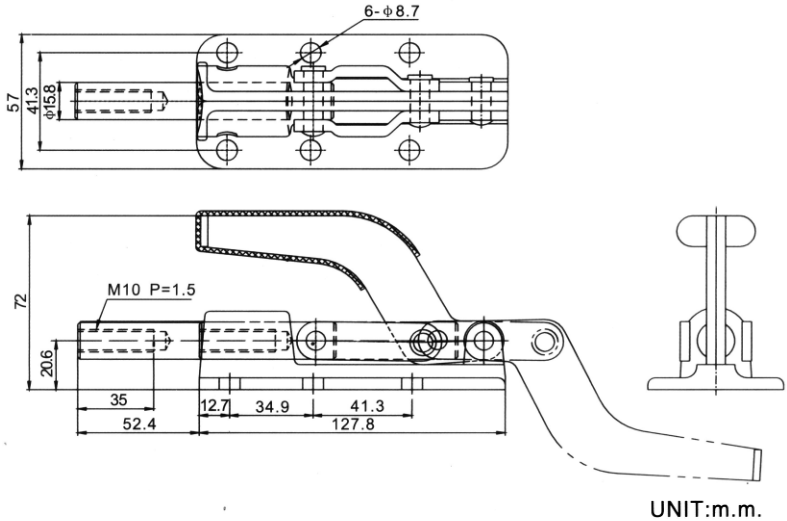
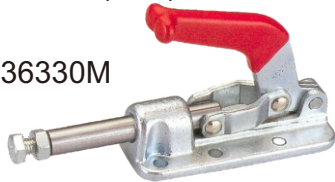
MG-36080 (36330ML)



MG-36330M

* Forged alloy steel base
 (底座為鍛造合金鋼)
 WEIGHT(自重): 1050g
 HOLDING CAPACITY(夾持力): 1136kg
 SPINDLE SUPPLIED
 (壓頭螺絲型號): SA-105015
 HANDLE OPENS(手柄開啟角度): 180°
 PLUNGER STROKE(行程): 50.8mm

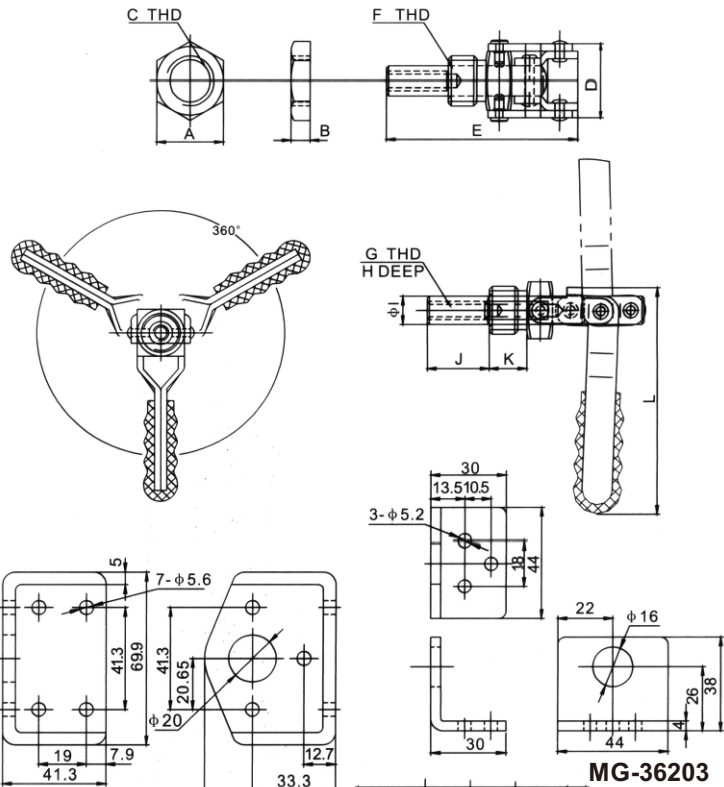
MG-36330M



MG-36202M MG-36204M MG-36224M

* Plunger Clamp With Threaded Collar for Mounting Through Panels or Plates.
 夾具依靠外螺紋固定安裝
 HANDLE OPENS(手柄開啟角度): 180°

MG-36224M



MG-36205

MG-36203

MG-36225

UNIT:m.m.



MG-36225M



MG-36203



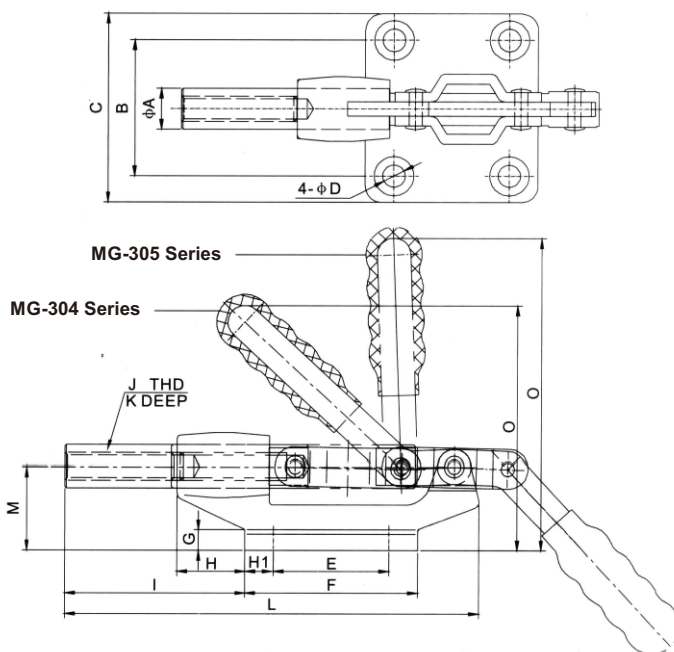
MG-36205M

型號	重量(克)	夾持力(公斤)	壓頭螺絲型號	行程	搭配支架	A	B	C	F	D	E	G	H	ØI	J	K	L
MG-36202M	113	91	SA-064010	20	MG-36203	24	6.4	M16	P=1.5	24	64.2	M6 P=1	15.8	9.4	21	12.7	75
MG-36204M	270	136	SA-085012	39	MG-36205	30	6.4	M20	P=1.5	28.2	115	M8 P=1.25	25.4	11	39.7	15.9	98
MG-36224M	770	318	SA-105015	65.5	MG-36225M	41	8	M27	P=2.0	40	170.8	M10 P=1.5	31.7	15.8	70.3	22.3	137
MG-36202-MSS	不銹鋼																
MG-36204-MSS	不銹鋼																
MG-36224-MSS	不銹鋼																



MG-304-CM 系列

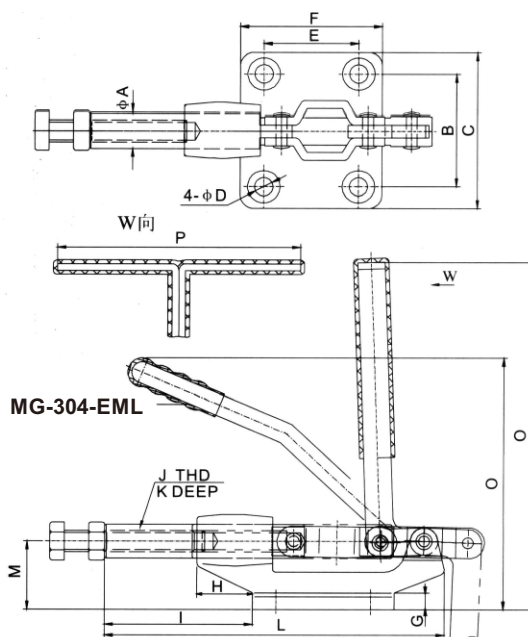
* Ductiles iron base(底座為鑄鋼)
 * MG-304-HM and MG-305-HM
 have bushings and removable hardened
 ground pins.
 手柄銷軸孔裝有耐磨套
 HANDLE OPENS(手柄開啟角度) : 180°



UNIT:m.m.

型號	重量 (克)	夾持力 (公斤)	壓頭 螺絲 型號	ØA	B	C	ØD	E	F	G	H	H1	I	J	K	L	M	O	行程
MG-304-CM	340	227	SA-085012	12.7	41.1	57.2	6.7	35	52.4	4.8	20.6	8.7	54.8	M8 P=1.25	30.2	125.7	25.4	74.2	32
MG-305-CM	340	227	SA-085012	12.7	41.1	57.2	6.7	35	52.4	4.8	20.6	8.7	54.8	M8 P=1.25	30.2	125.7	25.4	94.8	32
MG-304-EM	580	386	SA-105015	16	41.1	57.2	8.3	41.1	58.8	4.8	31.8	8.8	76	M10 P=1.5	39.2	158.2	31.8	93.5	42
MG-305-EM	580	386	SA-105015	16	41.1	57.2	8.3	41.1	58.8	4.8	31.8	8.8	76	M10 P=1.5	39.2	158.2	31.8	119.5	42
MG-304-HM	1480	680	SA-125017	19.2	50.8	71.4	8.3	50.8	73.2	6.4	50.8	11.1	119.8	M12 P=1.75	49.2	235	44.4	133.4	60
MG-305-HM	1480	680	SA-125017	19.2	50.8	71.4	8.3	50.8	73.2	6.4	50.8	11.1	119.8	M12 P=1.75	49.2	235	44.4	171.6	60
MG-304-EMSS	不銹鋼																		

MG-305-CMT MG-304-EMY

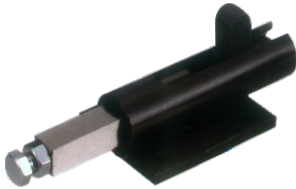


UNIT:m.m.

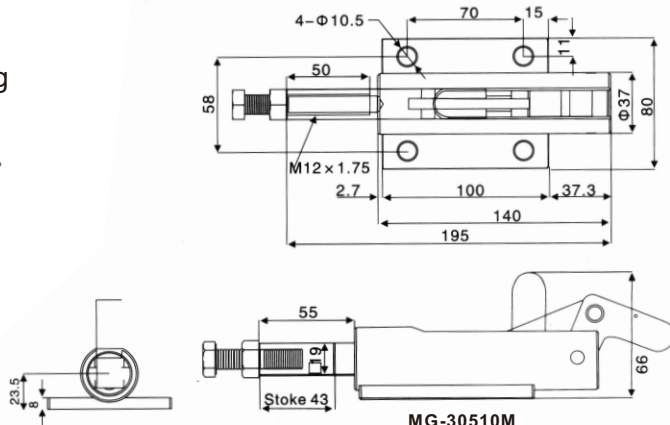
型號	重量 (克)	夾持力 (公斤)	壓頭 螺絲 型號	行程	A	B	C	D	E	F	G	H	I	J	K	L	M	O	P
MG-305-CMT	395	227	SA-085012	32	12.7	41.1	57.2	6.7	35	52.4	4.8	20.8	54.8	M8 P=1.25	30.2	125.4	25.4	130	90
MG-304-EML	663	386	SA-105015	42	16	41.1	57.2	8.3	41.1	58.8	4.8	31.8	76	M10 P=1.5	39.5	158.2	31.8	136.3	-

MG-30510M

WEIGHT(自重): 1750g
 HOLDING CAPACITY(夾持力): 1100kg
 SPINDLE SUPPLIED
 (壓頭螺絲型號): SA-125017
 HANDLE OPENS(手柄開啟角度): 105°
 PLUNGER STROKE(行程): 43mm



MG-30510M



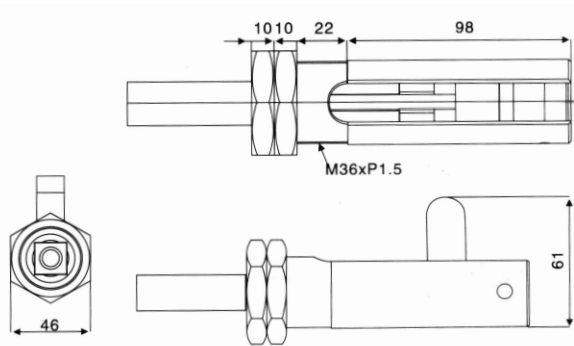
UNIT:m.m.

MG-30511M

WEIGHT(自重): 1300g
 HOLDING CAPACITY(夾持力): 1100kg
 SPINDLE SUPPLIED
 (壓頭螺絲型號): SA-125017
 HANDLE OPENS(手柄開啟角度): 105°
 PLUNGER STROKE(行程): 43mm



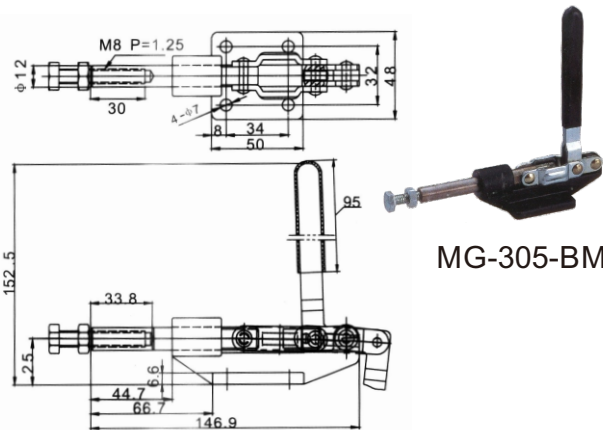
MG-30511M



UNIT:m.m.

MG-305-BM

WEIGHT(自重): 480g
 HOLDING CAPACITY(夾持力): 180kg
 SPINDLE SUPPLIED
 (壓頭螺絲型號): SA-085012
 HANDLE OPENS(手柄開啟角度): 185°
 PLUNGER STROKE(行程): 33.8mm



MG-305-BM

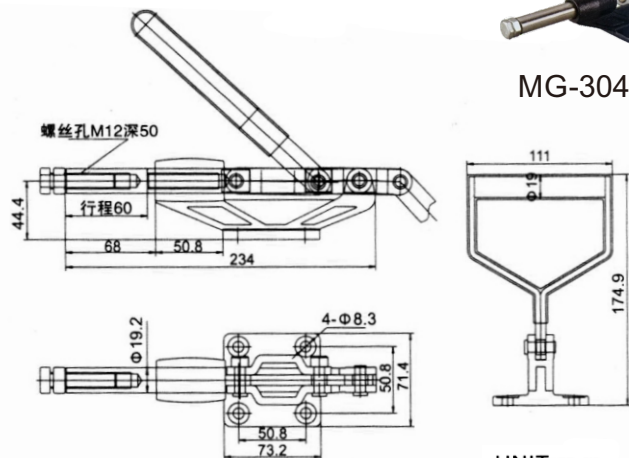
UNIT:m.m.

MG-304-HMY

WEIGHT(自重): 1600g
 HOLDING CAPACITY(夾持力): 680kg
 SPINDLE SUPPLIED
 (壓頭螺絲型號): SA-125017
 HANDLE OPENS(手柄開啟角度): 180°
 PLUNGER STROKE(行程): 60mm



MG-304-HMY



UNIT:m.m.